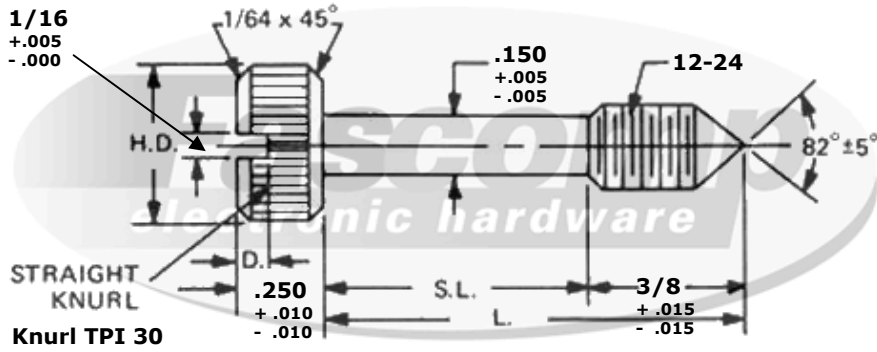


Captive Screw Type 1 12-24 Thread



Create a part number:

Length	Material	Finish
FCXXXX	XX	XX
<hr style="border: none; border-top: 1px solid black; margin: 5px 0;"/>		

Captive Screws - 12-24 Thread					
	FCXXXX	Length (L)	H.D. +.015 -.000	S.L. +.010 -.010	D. +.010 -.000
✓	FC0184	5/8	9/16	1/4	3/32
	FC0185	11/16	9/16	5/16	3/32
	FC0186	3/4	9/16	3/8	3/32
	FC0187	13/16	9/16	7/16	3/32
	FC0188	7/8	9/16	1/2	3/32
	FC0189	15/16	9/16	9/16	3/32
	FC0190	1	9/16	5/8	3/32
	FC0191	1-1/16	9/16	11/16	3/32
	FC0192	1-1/8	9/16	3/4	3/32
	FC0193	1-3/16	9/16	13/16	3/32
	FC0194	1-1/4	9/16	7/8	3/32
	FC0195	1-5/16	9/16	15/16	3/32
	FC0196	1-3/8	9/16	1	3/32
	FC0197	1-7/16	9/16	1-1/16	3/32
	FC0198	1-1/2	9/16	1-1/8	3/32
	FC0199	1-9/16	9/16	1-3/16	3/32
	FC0200	1-5/8	9/16	1-1/4	3/32
	FC0201	1-11/16	9/16	1-5/16	3/32
	FC0202	1-3/4	9/16	1-3/8	3/32
	FC0203	1-13/16	9/16	1-7/16	3/32
	FC0204	1-7/8	9/16	1-1/2	3/32
	FC0205	1-15/16	9/16	1-9/16	3/32
	FC0206	2	9/16	1-5/8	3/32

Material	
✓ Material Code (XX)	
B	Brass
S	Steel
SS	Stainless Steel

Compatible Finish (XX)	
	B, S, SS 0 - Plain
	B, S 5 - Nickel Plate (QQ-N-290)
	B, S 12 - Zinc Clear (ASTM-B-633)
	B, S 16 - Electro Tin (MIL-T-10727 TYPE 1)
	SS 20 - Passivation (MIL-F-14072D)
	B, S, SS 26 - Black Oxide
	B, S 28 - Zinc Yellow (ASTM-B-633)

Tolerances
Unless otherwise Specified
 .xxx +/- .005
 .xx +/- .010
 Angular +/- 1 Degree
 Linear +/- .005
Break all sharp edges

Source Control Drawing:
 To be produced by
 Fascomp Electronic Hardware



This document is the property of Fascomp Inc. and shall not be reproduced, distributed, or used as a basis for manufacturing without written permission from Fascomp Inc.